



New Edition

NADIR & CO.

Dental & Orthodontic Instruments

Quality + Performance + Innovation

Manufacturers
Since 1947



NADIR & CO.
ORTHODONTIC
INSTRUMENTS

“ IN THE NAME OF ALLAH ALMIGHTY THE MOST BENEFICIAL AND MERCIFUL,
ALL OUR STRENGTHS AND EXPERTISE ARE HIS BLESSINGS AND
NOTHING CAN BE ACHIEVED WITHOUT HIS WILL “

A family owned company established in 1947 by Mr. Kamil Raza Kurd (Late) his efforts can never be forgotten for establishing a platform where customer care is most important.

Valuable Clients,

Thank you for giving us an opportunity to serve you at our best.

For over 30 years, NADIR & CO has delivered the highest quality products and continue our goal of providing the best.

Your choice to meet the most demanding expectations where quality and reliability are concerned. We do not compromise on quality.

NADIR & CO puts power and precision into the practitioner's hands. Our instruments are specifically engineered and produced to provide unrivaled clinical outcomes. The ergonomic design offers maximum comfort and safety to both the patient and the practitioner.

Thanks to our in-house manufacturing facility we are committed to satisfy requirements of our worthy clients in time. Our continue effort is to improve quality and gain trust.

NADIR & CO is a certified body with the regulation of cGMP FDA and have adopted ISO 9001 and ISO 13485 standards into its manufacturing facility. It is also certified to mark CE on its products.

NADIR & CO utilize only the finest materials, made in Germany and Japan for all our manufactured pliers. We monitor our process to guarantee our workmanship, always keeping up with the latest techniques and ISO, CE & FDA regulations.

NADIR & CO is paying its complete efforts to serve Orthodontic industry with economical and worth paying price level. Pliers and instruments are designed to meet the specific requirements of orthodontic treatment. All our manufactured pliers are handcrafted by skilled instruments makers to meet our high standards of precision work (only the best make the grade). Our commitment to manufacture the highest quality pliers and provide optimum service prevails, as we expand our product lines, along with our facilities.

A wide range for all your needs is available, kindly check and find the one suitable for you.

Sincerely Yours,

NADIR & CO

M. Qasim Kurd

Managing Partner

All prices are subject to change without notice.



NADIR & CO.
Dental & Orthodontic Instruments

www.nadirco.com

nadir@skt.comsats.net.pk / info@nadirco.com / nadir.ortho@gmail.com





DISTAL END CUTTERS



Ref No
115-0317

Distal End Cutter, Universal Cut 12cm
Fitted With Immunity-HS Steel Tips Insert,
With Safety hold ability. Rivet Joint. Stainless Steel.

Cutting Capacity:
Max: .021"(.54mm) x .025"(.64mm)
Min: .012" (.31mm)



Ref No
115-0317L

Distal End Cutter, Universal Cut, Long Handles 14cm
Fitted With Immunity-HS Steel Tips Insert, With Safety
hold ability. Rivet Joint. Stainless Steel.

Cutting Capacity:
Max: .021"(.54mm) x .025"(.64mm)
Min: .012" (.31mm)



Ref No
115-0318

Distal End Cutter, Universal Cut. Long Slim Pattern 13cm
Fitted With Immunity-HS Steel Tips Insert, With Safety
hold ability. Rivet Joint. Stainless Steel.

Cutting Capacity:
Max: .021"(.54mm) x .025"(.64mm)
Min: .012" (.31mm)



Ref No:
115-0319

Distal End Cutter, Universal Cut. Long Neck 12cm
Fitted With Immunity-HS Steel Tips Insert, With Safety
hold ability. Rivet Joint. Stainless Steel.

Cutting Capacity:
Max: .021"(.54mm) x .025"(.64mm)
Min: .012" (.31mm)



Ref No:
115-0320

Distal End Cutter, Universal Cut. Small Neck 11.5cm
Fitted With Immunity-HS Steel Tips Insert, With Safety
hold ability. Rivet Joint. Stainless Steel.

Cutting Capacity:
Max: .021"(.54mm) x .025"(.64mm)
Min: .012" (.31mm)



Ref No:
115-0321

**Distal End Cutter, Universal Cut, Small Neck,
Maxi Look 12cm**
Fitted With Immunity-HS Steel Tips Insert,
With Safety hold ability. Rivet Joint. Stainless Steel.

Cutting Capacity:
Max: .021"(.54mm) x .025"(.64mm)
Min: .012" (.31mm)



Ref No:
DEN-001

Distal End Cutter, Universal Cut, Long Handles 14cm.
Fitted With Immunity-HS Steel Tips Insert, With Safety
hold ability. Rivet Joint. Stainless Steel.

Cutting Capacity:
Max: .021"(.54mm) x .025"(.64mm)
Min: .012" (.31mm)



Ref No:
DEN-002

Distal End Cutter, Universal Cut, Box Joint 12cm.
Fitted With Immunity-HS Steel Tips Insert, With Safety
hold ability. Box Joint. Stainless Steel.

Cutting Capacity:
Max: .021"(.54mm) x .025"(.64mm)
Min: .012" (.31mm)



Ref No:
115-0322

Flush Cutter without Hold 45 degree angled 11.5cm.
Fitted With Immunity-HS Steel Tips Insert, Without
Safety hold ability. Rivet Joint. Stainless Steel.

Cutting Capacity:
Max: .016"(.41mm) / Min: .012" (.31mm)



DISTAL END CUTTERS



Ref No
115-0323



Flush Cutter with Hold 12cm.

This is a special designed flush cutter which holds the cut part of wires with the help of 1.40mm wire welded on the other side. Fitted With Immunity-HS Steel Tips Insert, With Safety hold ability. Rivet Joint. Stainless Steel.

Cutting Capacity:

Max: .021"(.54mm) x .028"(.71mm)
Min: .012" (.31mm)



Ref No
115-0324



Slim Flush Cutter with Hold 12cm.

This is a special designed flush cutter which holds the cut part of wires with the help of 1.40mm wire welded on the other side. Fitted With Immunity-HS Steel Tips Insert, With Safety hold ability. Rivet Joint. Stainless Steel.

Cutting Capacity:

Max: .021"(.54mm) x .025"(.64mm)
Min: .014" (.36mm) NICKEL TITANIUM



Ref No
115-0325



Distal End Cutter, Universal Cut. Long Handles 14.5cm

Fitted With Immunity-HS Steel Tips Insert, With Safety hold ability. Box Joint. 1/3 Handle Gold Platted. Stainless Steel,

Cutting Capacity:

Max: .021"(.54mm) x .025"(.64mm)
Min: .012" (.31mm)



Ref No
115-0326



Distal End Cutter, Universal Cut. Long Neck 12cm

Fitted With Immunity-HS Steel Tips Insert, With Safety hold ability. Rivet Joint. Stainless Steel.

Cutting Capacity:

Max: .021"(.54mm) x .025"(.64mm)
Min: .012" (.31mm)



Ref No
115-0327



Distal End Cutter, Universal Cut. Box Joint 12cm

Fitted With Immunity-HS Steel Tips Insert, With Safety hold ability. Rivet Joint. Stainless Steel.

Cutting Capacity:

Max: .021"(.54mm) x .025"(.64mm)
Min: .012" (.31mm).



Ref No
115-0328



Distal End Cutter, Universal Cut. Slim Pattern, Box Joint 12cm.

Fitted With Immunity-HS Steel Tips Insert, With Safety hold ability. Rivet Joint. Stainless Steel.

Cutting Capacity:

Max: .021"(.54mm) x .025"(.64mm)
Min: .012" (.31mm)



Ref No
O-S-001



Distal End Cutter, Universal Cut. Heavy Pattern, Box Joint Long Handles 14cm.

Fitted With Tungsten Carbide Tips Insert, With Safety hold ability. Stainless Steel. 1/3 Handle Gold Platted.

Cutting Capacity:

Max: .021"(.54mm) x .025"(.64mm) and .030"(.76mm)
Min: .012" (.31mm)



Ref No
115-0323F



Flush Cutter with Hold, Heavy pattern, Long Handle 13.5cm.

This is a special designed flush cutter which holds the cut part of wires with the help of 1.20mm wire welded on the inner side. Fitted With Immunity-HS Steel Tips Insert, With Safety hold ability. Rivet Joint. Stainless Steel.

Cutting Capacity:

Max: .021"(.54mm) x .025"(.64mm)
Min: .012" (.31mm)



Ref No
115-0323H



Flush Cutter with Hold 12cm.

This is a special designed flush cutter which holds the cut part of wires with the help of 0.45mm SS Sheet Spring, screwed on the inner side of the beak. Fitted With Immunity-HS Steel Tips Insert, With Safety hold ability. Rivet Joint. Stainless Steel.

Cutting Capacity:

Max: .021"(.54mm) x .025"(.64mm)
Min: .012" (.31mm)



NADIR & CO.
Dental & Orthodontic Instruments

nadir@skt.comsats.net.pk
nadir.ortho@gmail.com

info@nadirco.com
www.nadirco.com



LIGATURE & PIN CUTTERS



Ref No
O-S-002



Micro Ligature & Pin Cutters 7 degree angle 12.5cm
Fitted With Immunity-HS Steel Tips Insert, Beak Length 7.5mm, Diamond honed edges, Box Joint. 1/3 Handle Gold Platted. Stainless Steel.

Cutting Capacity:
Max: .012"(.31mm) Soft Wires



Ref No
O-S-003



Ligature & Pin Cutters straight 12.5cm
Fitted With Immunity-HS Steel Tips Insert, Beak Length 9.5mm, Diamond honed edges, Box Joint. 1/3 Handle Gold Platted. Stainless Steel.

Cutting Capacity:
Max: .012"(.31mm) Soft Wires



Ref No
115-0331



Mini Ligature & Pin Cutters Str, Slim Beak 12.5cm
Fitted With Immunity-HS Steel Tips Insert, Beak Length 8mm, Diamond honed edges, Box Joint. 1/3 Handle Gold Platted. Stainless Steel.

Cutting Capacity:
Max: .012"(.31mm) Soft Wires



Ref No
115-0332



Mini Ligature & Pin Cutters 15 degree angled, Slim Beak 12.5cm
Fitted With Immunity-HS Steel Tips Insert, Beak Length 9mm, Diamond honed edges, Rivet Joint. Stainless Steel.

Cutting Capacity:
Max: .012"(.31mm) Soft Wires



Ref No
115-0333



Ligature & Pin Cutters wide beak 15 degree angled, 12.5cm
Fitted With Immunity-HS Steel Tips Insert, Beak Length 8mm, Diamond honed edges, Rivet Joint. Stainless Steel.

Cutting Capacity:
Max: .012"(.31mm) Soft Wires



Ref No
115-0330



Ligature & Pin Cutters straight 12cm
Fitted With Immunity-HS Steel Tips Insert, Beak Length 12mm, Diamond honed edges, Rivet Joint. Stainless Steel.

Cutting Capacity:
Max: .012"(.31mm) Soft Wires



Ref No
115-0330S



Ligature & Pin Cutters straight 12cm.
Fitted With Immunity-HS Steel Tips Insert, Beak Length 12mm, Diamond honed edges, Hex Screw Joint. Stainless Steel.

Cutting Capacity:
Max: .012"(.31mm) Soft Wires



Ref No
115-0342



Fitted With Immunity-HS Steel Tips Insert, Beak Length 12mm, Diamond honed edges, Rivet Joint. Stainless Steel.

Cutting Capacity:
Max: .012"(.31mm) Soft Wires



Ref No
115-0346S



Ligature & Pin Cutters 15 degree angled 12cm.
Fitted With Immunity-HS Steel Tips Insert, Beak Length 12mm, Diamond honed edges, Hex Screw Joint. Stainless Steel.

Cutting Capacity:
Max: .012"(.31mm) Soft Wires





Ref No
115-0352



Micro Ligature & Pin Cutters 15 degree angled 11.5cm.
Fitted With Immunity-HS Steel Tips Insert, Beak Length 9mm, Diamond honed edges. Rivet Joint. Stainless Steel.

Cutting Capacity:
Max: .012"(.31mm) Soft Wires



Ref No
115-0348S



Micro Ligature & Pin Cutters 15 degree angled 11.5cm.
Fitted With Immunity-HS Steel Tips Insert, Beak Length 9mm, Diamond honed edges, Hex Screw Joint. Stainless Steel.

Cutting Capacity:
Max: .012"(.31mm) Soft Wires



Ref No
115-0351



Mini Ligature Cutters 15 degree, Light Model, 11.5cm.
Fitted With Immunity-HS Steel Tips Insert, Beak Length 9.5mm, Diamond honed edges, Rivet Joint. Stainless Steel.

Cutting Capacity:
Max: .012"(.31mm) Soft Wires



Ref No
115-0354



Micro Mini Ligature Cutters 15 degree angle 11cm.
Fitted With Immunity-HS Steel Tips Insert, Beak Length 8mm, Diamond honed edges, Rivet Joint. Stainless Steel.

Cutting Capacity:
Max: .012"(.31mm) Soft Wires



Ref No
115-0355



Ligature Cutters Str, Light Slim Model, 7 degree 12cm.
Fitted With Immunity-HS Steel Tips Insert, Beak Length 10mm, Diamond honed edges, Box Joint. Stainless Steel.

Cutting Capacity:
Max: .012"(.31mm) Soft Wires



Ref No
115-0353B



Hard Wire Cutters Black, 15 degree 12cm.
Fitted With Tungsten Carbide Tips Insert, Beak Length 8.5mm, Diamond honed edges, Hex Screw Joint. Back Chromed Stainless Steel.

Cutting Capacity:
Max: .021"(.54mm) to .025"(.64mm) Hard Wires



Ref No
115-0329

Ligature Cutter, 45 degree angled Wide Handles Very Fine Tips.

Fitted With Immunity-HS Steel Tips Insert, Tips Length 4.5mm. Rivet Joint. Stainless Steel.

Cutting Capacity:
Max: .012"(.31mm) / Min: .008"(.20mm)
Soft Wires





HARD WIRE CUTTERS



Ref No
115-0353

Hard Wire Cutters Straight 12cm.
Fitted With Tungsten Carbide Tips Insert, Beak Length 8mm, Diamond honed edges, Rivet Joint. Stainless Steel.

Cutting Capacity:
Max: .021"(.54mm) to .028" (.71mm) Hard Wires



Ref No
115-0353A

Hard Wire Cutters 15 degree 12cm.
Fitted With Tungsten Carbide Tips Insert, Beak Length 8mm, Diamond honed edges, Rivet Joint. Stainless Steel.

Cutting Capacity:
Max: .021"(.54mm) to .028" (.71mm) Hard Wires



Ref No
115-0353L

Hard Wire Cutters Str Long Beak 12cm.
Fitted With Tungsten Carbide Tips Insert, Beak Length 9mm, Diamond honed edges, Rivet Joint. Stainless Steel.

Cutting Capacity:
Max: .021"(.54mm) to .028" (.71mm) Hard Wires



Ref No
115-0353H

Hard Wire Cutters 15 degree Long Beak 13.5cm.
Fitted With Tungsten Carbide Tips Insert, Beak Length 11mm, Diamond honed edges, Rivet Joint. Stainless Steel.

Cutting Capacity:
Max: .021"(.54mm) to .028" (.71mm), Hard Wires



Ref No
115-0356

Heavy Duty Cutter, Multi-action. Stainless Steel
Ideal to cut heavy wires easily with the help of spring action cutting mechanism without putting extra force. Stainless Steel.

Cutting Capacity:
Max: .035"(.90mm) Hard Wires



Ref No
115-0357

Heavy Duty Cutter, Multi-action. Carbon Steel
Ideal to cut heavy wires easily with the help of spring action cutting mechanism without putting extra force. Stainless Steel beak black coated.

Cutting Capacity:
Max: .035"(.90mm) Hard Wires



Ref No
115-0358

Heavy Duty Cutter, Multi-action Mechanism 9" T/C
Fitted with T/C Tips, Ideal to cut heavy wires easily with the help of 4 hinge mechanism without putting extra force. Stainless Steel. 1/3 handles gold plated .

Cutting Capacity:
Max: .040"(1.00mm) Hard Wires



Ref No
115-0359

Heavy Duty Cutter, Multi-action Mechanism 7" T/C
Fitted with T/C Tips, Ideal to cut heavy wires easily with the help of 4 hinge mechanism without putting extra force. Stainless Steel. 1/3 handles gold plated.

Cutting Capacity:
Max: .035"(.90mm) Hard Wires



Ref No
115-0360

Heavy Wire Cutter.
Good for cutter heavy wires upto .030", without spring action. Slim shaped beak. Hardened Stainless Steel.

Cutting Capacity:
Max: .030"(.76mm) Hard Wires



PLIERS



Ref No
115-0383



Bracket Removing Plier 12.5cm angled T/C Tips.
Sharp beak wedge can easily go under bracket base. Lifts off bracket from tooth surface with no discomfort to patient due to Firm Round Tips Grip assures, easy in horizontal and vertical use. Box Joint. Stainless Steel.



Ref No
115-0380



Bracket Removing Plier 12.5cm angled
Sharp beak wedge can easily go under bracket base. Lifts off bracket from tooth surface with no discomfort to patient due to Firm Round Tips Grip assures, easy in horizontal and vertical use. Rivet Joint. Stainless Steel.



Ref No
115-0381



Bracket Removing Plier 12.5cm Straight.
Sharp beak wedge can easily go under bracket base. Lifts off bracket from tooth surface with no discomfort to patient due to Firm Round Tips Grip assures, easy in horizontal and vertical use. Rivet Box. Stainless Steel.



Ref No
115-0371



Band Removing Pliers long neck 12.5cm.
Ideal for posterior band removing. Replaceable Teflon stud, work upward and downward to remove band. Studs are high Heat resistant. Rivet Joint. Stainless Steel.
STUDS are available in 4mm, 5mm, 6mm, dia.



Ref No
115-0373



Band removing pliers short neck 12.5cm.
Ideal for posterior band removing. Replaceable Teflon stud, work upward and downward to remove band. Studs are high Heat resistant. Rivet Joint. Stainless Steel.
STUDS are available in 4mm, 5mm, 6mm dia.



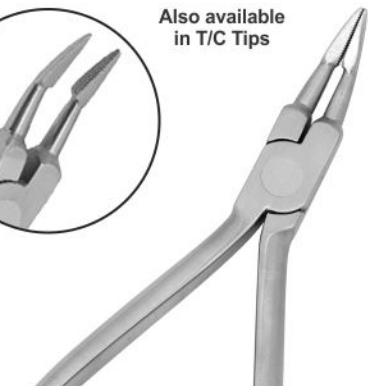
Ref No
115-0374



Band Removing Pliers.
Ideal for posterior band removing. Replaceable Teflon stud, work upward and downward to remove band. Studs are high Heat resistant. Rivet Joint. Stainless Steel.
STUDS are available in 4mm, 5mm, 6mm dia.



Ref No
115-0375



Slim Weingart Pliers 13cm.
Serrated jaws for firm grip, angled shape gives smooth working with easy access to the specified job. Rivet Joint. Stainless Steel.



Ref No
115-0376



Slim Weingart Pliers 13cm.
Serrated jaws for firm grip, angled slim and micro shape gives smooth working with easy access to the specified job. Rivet Joint. Stainless Steel.



Ref No
115-0377



Weingart Pliers 12.5cm.
Serrated jaws for firm grip, angled shape gives smooth working with easy access to the specified job. Rivet Joint. Stainless Steel.





PLIERS



Ref No
115-0378

Weingart Pliers 13cm.
Serrated jaws for firm grip, angled shape gives smooth working with easy access to the specified job. Rivet Joint. Stainless Steel.



Ref No
115-0379

Weingart Pliers 14cm.
Serrated jaws for firm grip, angled shape gives smooth working with easy access to the specified job. Box Joint. Stainless Steel.



Ref No
115-0382

Nance Pliers 12.5cm.
For Precise forming of loops in four lengths 3, 4, 5, & 6 mm. Rounded edges prevent scoring wire. Rivet Joint. Stainless Steel.

Max: 0.028" (.71 mm) ● Wires



Ref No
115-0385

Three Jaw Pliers 12.5cm.
Perfect aligned tips, tapered for work on delicate bending. Rivet Joint. Stainless Steel.

Max: 0.028" (.71 mm) ● Wires



Ref No
115-0386

Adrere Pliers 13cm.
Perfect aligned tips, tapered for work on delicate bending. Box Joint. Stainless Steel.

Max: 0.030" (.76 mm) ● Wires



Ref No
115-0387

Mini Adrere Pliers 11.5cm.
Perfect aligned tips, tapered for work on delicate bending. Box Joint. Stainless Steel.

Max: 0.020" (.51 mm) ● Wires



Ref No
115-0390

Bird Beak Pliers 12cm.
Utility Pliers popular for working on round wires. Tips are hardened. Rivet Joint. Stainless Steel.

Max: 0.030" (.76 mm) ● Wires



Ref No
115-0390W/C

BIRD BEAK Pliers with cutters 12cm
Utility Pliers popular for working with round wire. Cutter formation makes this Plier popular among doctors for working and cutting at the same time. Tips are hardened. Rivet Joint. Stainless Steel.

Max: .022" x .025" (.56 mm) x (.64 mm) ■ Wires



Ref No
115-0391

Light wire bending Pliers with cutters 12cm
Utility Pliers popular for working with round wire. Cutter formation makes this Plier popular among doctors for working and cutting at the same time. Long and Slim beak gives precise. Tips are hardened. Rivet Joint. Stainless Steel.

Max: .022" x .025" (.56 mm) x (.64 mm) ■ Wires



PLIERS



Ref No
115-0392



Light Wire Bending Pliers Long 12.5cm
Utility Pliers popular for working on round wire. Tips are hardened. Rivet Joint. Stainless Steel.

Max: 0.020" (.51 mm) ● Wires



Ref No
115-0388



Slim Bird Beak Pliers Tapered Beak 12.5cm
Utility pliers popular for working on round & rectangular wire. Tips are hardened for Making Smooth Loops. Box Joint. Stainless Steel.

Max: .022" x.025" (.56 mm x .64 mm) ■ Wires



Also available
in T/C Tips

Ref No
115-0389



Bird Beak pliers with cutters 12.5cm Tapered Beak
Utility pliers popular for working with round wire. Cutter formation makes this plier popular among doctors for working and cutting at the same time. Tips are hardened. Box Joint. Stainless Steel.

Max: .022" to .025" (.56 mm to .64mm) ■ Wires
Min: .012" to .016" (.31mm to .41mm) ● Wires



Ref No
115-0393

Jaraback Pliers.
Ideal for precise bending and forming loops in light wires up to .020". Set of 3 grooves assures a firm grip. Rivet Joint. Stainless Steel.

Max: 0.020" (.51mm) ● Wires



Ref No
115-0393 W/C

Jaraback Pliers with cutters.
Ideal for precise bending and forming loops in light wire. Set of 3 grooves assures a firm grip. Cutter formation makes it more versatile. Box Joint. Stainless Steel.

Max: .012" to .016" (.31mm to .41mm) ● Wires



Also available
in T/C Tips

Ref No
115-0394

Jaraback Pliers with T/C cutters.
Ideal for precise bending and forming loops in light wires. Set of 3 grooves assures a firm grip. T/C Tips Cutter formation makes it more versatile and cut hard wire easily. Box Joint. Stainless Steel.

Max: .022" x.025" (.56mm to .64mm) ■ Wires
Min: .012" to .016" (.31mm to .41mm) ● Wires



Ref No
115-0410

Lingual Arch Forming Pliers 12cm
The pliers is designed for double back or triple back bending can accommodate .030, .036 wires. Rivet Joint. Stainless Steel.
4 Hole. Size:- .70mm, .90mm, 1.30mm, .70mm
Max: 0.036" (.91mm) ● Wires



Ref No
115-0411

Rectangular Arch Forming Pliers 12cm
The pliers is designed for double back or triple back bending. Rivet Joint. Stainless Steel.

Max: .022" x.025" (.51mm x .64mm) ■ Wires



Ref No
115-0412

SLIM Arch Forming Pliers 12cm
The pliers is designed for double back or triple back bending. Rivet Joint. Stainless Steel.

Max: .022" x.025" (.51mm x .64mm) ■ Wires



NADIR & CO.
Dental & Orthodontic Instruments

nadir@skt.comsats.net.pk
nadir.ortho@gmail.com

info@nadirco.com
www.nadirco.com



PLIERS



Ref No
115-0413

Also available
in T/C Tips

TWEED Arch Forming Pliers 12cm.
The Pliers is designed for double back or triple back bending. Rivet Joint. Stainless Steel.

Max: .022" x.025" (.56mm x .64mm) ■ Wires



Ref No
115-0417

Also available
in T/C Tips

TWEED Arch Forming Pliers 12cm.
The Pliers is designed for double back or triple back bending. Wide Handides for extra grip. Rivet Joint. Stainless Steel.

Max: .022" x.025" (.56mm x .64mm) ■ Wires



Ref No
115-0415

Band Crimping Pliers
This plier formation makes the work of operator to crimp and reform bands with ease and accuracy. Rivet Joint. Stainless Steel



Ref No
115-0416

Cinch Back Pliers
Pliers for forming and cinching round or rectangular wire up to .028". Serrated tips are tapered to a fine point allowing access to difficult reach areas. Rivet Joint. Stainless Steel.

Max: .028" (.71mm) ● ■ Wires



Ref No
115-0408

Arch Forming Pliers 12cm
The smooth concave and convex surface allows forming of arch wires. Spring action. Rivet Joint. Stainless Steel.



Ref No
115-0414

Hollow Chop Arch Forming Pliers 12cm.
The smooth concave and convex plain surface allows forming of arch wires easily. Rivet Joint. Stainless Steel.



Ref No
115-0409

Hollow Chop Arch Forming pliers with 3 Grooves 12cm.
The smooth concave and convex surface with grooves allows forming of arch wires easily. Sizes of grooves .016" .018" .022". (.41, .46, .56mm) Rivet Joint. Stainless Steel.



Ref No
115-0422

Tweed Pliers 12.5cm
The pliers gives perfect rings to the wire forming .040" .075" and .10" radius. Rivet Joint. Stainless Steel.

Max: .022" x.025" (.56mm x .64mm) ■ Wires



Ref No
115-0424

Omega Loop Forming Pliers, Tweed Type 12.5cm
The pliers gives perfect rings to the wire forming .045", .060" and .75" radius. Replaceable loop forming tip ability. Rivet Joint. Stainless Steel. Extra loop forming tip 115-0424T Extra Hex Screw tip 115-0424S

Max: .022" x.025" (.56mm x .64mm) ■ Wires





Ref No
115-0427

Adhesive Removing Pliers.

Tips design allows access to remove adhesive in practically any area of the mouth. Double ended carbide rod tip is replaceable for repeated uses for long time. Replaceable Opposing Teflon stud tip with stand high heat sterilization. Rivet Joint. Stainless Steel.



Ref No
115-0430

How Utility Pliers angled 12.5cm.

Fine Serrated 3mm dia beak gives firm grip during use. The thin beak provides excellent visibility during the placement and removal of arch wires and general use angled beak gives more utility for easy access. Rivet Joint. Stainless Steel



Ref No
115-0431

How Utility Pliers angled 12.5cm.

Fine Serrated 4mm dia beak gives firm grip during use. The thin beak provides excellent visibility during the placement and removal of arch wires and general use angled beak gives more utility for easy access. Rivet Joint. Stainless Steel



Ref No
115-0432

How Utility Pliers Straight 12.5cm.

Fine Serrated 3mm dia beak gives firm grip during use. The thin beak provides excellent visibility during the placement and removal of arch wires and general use. Rivet Joint. Stainless Steel



Ref No
115-0399

Universal Pliers Flat Pattern 15.5cm.

Universal Pliers for wire and pin roughening, Cutting and bending. Stainless Steel

Bends Max: .038" (.96mm)
Cuts Max: .028" (.71mm)



Ref No
115-0400

Universal Pliers 15.5cm.

Universal Pliers for wire and pin roughening, Cutting and bending. Stainless Steel

Bends Max: .038" (.96mm)
Cuts Max: .028" (.71mm)



Ref No
115-0404

Wald Scahs - Universal Pliers 15.5 Cm

This versatile plier may be used as Pin and Ligature, Clasp Bending and Cutting Pliers. Box Joint. Stainless Steel



Ref No
115-0401

Wire Bending Plier with 1 groove 12.5cm with T/C inserts Tips.

Ideal for precise bending and forming loops in wires. Box Joint. Stainless Steel



Ref No
115-0402

Wire Bending Plier with 1 groove 12.5cm.

Ideal for precise bending and forming loops in wires. Box Joint. Stainless Steel





PLIERS



Ref No
115-0420



Tweed Pliers 12.5cm

The pliers gives perfect rings to the wire forming .045", .060" and .075" radius. Rivet Joint. Stainless Steel.

Max: .022" to .028" (.56mm to .71mm) ■ Wires



Ref No
115-0421



Loop Forming Pliers with cutters. Tweed Type.

Also known as Kim Pliers. The plier gives perfect rings to the wire forming .060", .080" and .100" radius. Cutter formation makes this plier popular and gives additional working with time saving. Rivet Joint. Stainless Steel

Max: .025" Rectangular Hard Wires



Ref No
115-0064



Adams Pliers No. 64.

Utility Pliers for wire bending of different wire Sizes. Box Joint. Stainless Steel.

Max: .036" (.92mm)



Ref No
115-0065



Adams Pliers No. 65.

Utility Pliers for wire bending of different wire sizes. Box Joint. Stainless Steel

Max: .036" (.92 mm)



Ref No
115-0710



Step Forming Pliers.

Forms step in archwires. Excellent pliers for bending utility archwires. Rivet Joint. Stainless Steel. Steps availability 0.25mm, 0.50mm, 0.75mm, 1mm, 2mm, 3mm Kindly Specify while Ordering

Max: .022" (.56 mm) ● Wires

Step measure from here

1mm



Ref No
115-0801



Ligature Forming Pliers.

Easily bends ligature wire into a performed ligature. Box Joint. Stainless Steel.



Ref No
115-0802



Niti Cinch Back Pliers. Slim Beak

This plier formation makes the work of cinching back the end of the wire easy from a difficult access lingual area. Slim Beak makes the working more comfortable. Rivet Joint. Stainless Steel

Max: .021" x .025" (.54 mm x .64 mm) Wires



Ref No
115-0901



Hook Crimping Pliers.

Designed to crimp stops, hooks, and posts to archwires. The slot fits over the base of the hook while holding it tight while crimping. Box Joint. Stainless Steel.



Ref No
115-0904



Hook Crimping Pliers Cvd.

Designed to crimp stops, hooks, and posts to archwires. The slot fits over the base of the hook while holding it tight while crimping. Angled beak allows for precise placement of hook on archwire. Rivet Joint. Stainless Steel



PLIERS



Ref No
115-0906



Band Slitter Pliers.

This cutter has diamond shaped groove to safely trap band during removal. Diamond honed cutting surfaces. Box Joint. Stainless Steel.



Ref No
115-0910



Stop "V" Bend Plier.

Special design to make 1mm "V" bends to shorten arch wires or provide a positive stop. Excellent for placing stops in nickel titanium wires. Rivet Joint. Stainless Steel.

Max: .019" x .025" Wire



Ref No
115-0913

Plaster Cutter

Specialy designed cutter for Plaster Cutting Rivet Joint. Stainless Steel.



Ref No
115-0905



Two Types of Torquing Pliers Sets are available

- 1, to make 6mm long torque
- 2, to make 3.5mm long torque

Kindly Specify while ordering

Individual Torquing Pliers Set.

These Pliers allow the application of torque without distortion in other segments of the wire. Non-Slip grip tips facilitate the placement of labial or lingual torque. Tungsten Carbide Tips inserts, Rivet Joint. Stainless Steel.

Can bend wire upto. 022"x.025".

Available Key Sizes: .016" / .018"
.018" / .022"
.019" / .022"



Ref No
115-0903



Individual Torquing Pliers Set with key. Specially designed to place torquing bend into the small sections of archwires (such as a bend for a single tooth) without distorting adjacent sections of the wire. Two piece set consist of one torquing plier and one Key. Rivet Joint. Stainless Steel.

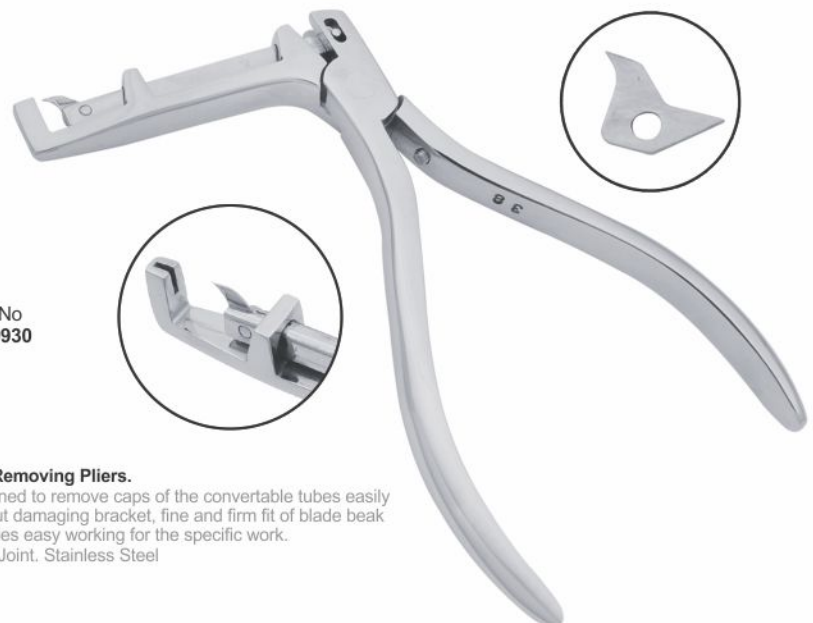
Ref No
115-0907



Band Contouring Pliers Spring Action.

Special design plier formation makes the work of operator to crimp and reform bands with ease and accuracy. Concave and Convex beak side gives accurate and firm gripping. Spring formation gives easy handling. Rivet Joint. Stainless Steel

Ref No
115-0930



Cap Removing Pliers.

Designed to remove caps of the convertible tubes easily without damaging bracket, fine and firm fit of blade beak provides easy working for the specific work. Rivet Joint. Stainless Steel





PLIERS



Ref No
115-0915

Loop Forming Pliers, Small Beak.
Designed for bending small springs and loops.
Rivet Joint. Stainless Steel

Max: .028" (0.70mm) Hard wires



Ref No
115-0916

Loop Forming Pliers, Long Beak.
Designed for bending small springs and loops.
Long Beak provides access area for working.
Rivet Joint. Stainless Steel

Max: .028" (0.70mm) Hard wires



Ref No
115-0911

Optical Pliers.
Finely finished round and concave beaks, both of T/C
Tips inserts. Excellent for bending of round and
edge-wise, affording firm grip, without nicking wire.
Can be used for loop tip back and gable bends.
Box Joint. Stainless Steel



Ref No
115-0390H

Bird Beak Pliers Heavy and serrated jaw.
Heavy duty bird beak is ideal for functional appliance
fabrication. Square tip is serrated to grip and secure lab
size wires while bending. Rivet Joint. Stainless Steel

Max: .036" (0.92mm) Hard wires



Ref No
115-0425

Young Loop Bending Pliers.
Universal pliers for different size loops. Ideal for labial
arches. Rivet Joint. Stainless Steel

Max: .028" (0.70mm) Hard wires



Ref No
115-0423

Tweed Loop Forming Pliers.
Have a fixed, one-piece tip with three forming sections
and a convex/concave beak for precisely forming
Omega loops. The tips and body are formed from one
piece of steel for strength and longevity. The three
tips sections measure .060", .090" and .120".
Rivet Joint. Stainless Steel



Ref No
115-0418

Crown Crimping Pliers.
Ideal Plier for contouring gingival surface of preformed
bands to better fit tooth anatomy.
Rivet Joint. Stainless Steel



Ref No
115-0950

Renold Pliers.
Ideal plier curved beak is useful when forming and
contouring wires. Rivet Joint. Stainless Steel



Ref No
115-0917

Pesso Pliers.
Ideal plier long beak one side flat and one side round
for forming collars. Rivet Joint. Stainless Steel



PLIERS



Ref No
115-0419

Arch Forming Pliers.

Ideal Plier to create a smooth arch on both round wires up to .040" and rectangular wires up to .021" x .028". Beveled edges eliminate the nicking of the wire during operation. Rivet Joint. Stainless Steel



Ref No
115-0955

Ruhland Loop Forming Pliers.

Designed for bending coffin springs, labial arches, loops etc. Rivet Joint. Stainless Steel

Max: .043" (1.10mm) Hard wires



Ref No
115-0406

Johnson Contouring Pliers.

With Curvature of the beaks only on one side. For contouring and adapting bands and crowns. Rivet Joint. Stainless Steel

THERMAL PLIERS



Ref No: 119-T011

Bubble Thermal Forming Pliers

Creates space in the appliance without cutting a window in the appliance.



Ref No: 119-T012

Micro Ramp Thermal Debonding Pliers

Micro-Ramp Thermopliers move anterior teeth laterally.



Ref No: 119-T013

Circular Forming Thermal Pliers

create a platform which the elastic hook is extended



Ref No: 119-T014

Slot Thermal Forming Plier

The Slot- forming plier take the second step in enabling elastics to be attached





Ref No
LINGUL323

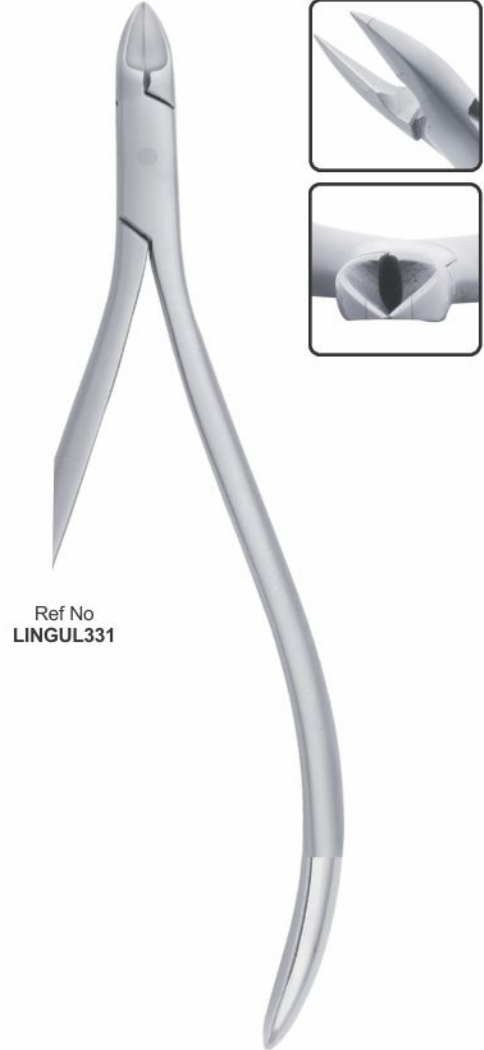
Flush Cut Distal End Cutter Safety Hold. With Immunity-HS Steel Tips Inserts.

The Lingual series flush cut feature of this instrument allows the archwire to be cut flush with the end of the buccal tube, eliminating the possibility of patient discomfort resulting from archwire protrusion.
Box Joint. Stainless Steel

Cutting Capacity:
Min: .016" (0.41mm)
Max: .021" (0.55mm) x .025" (.64mm) Hard wires

Also Available in Cutting Capacity
Min: .012" (0.31mm)
Max: .016" (0.41mm) x .025" (.64mm) Hard wires

Ref No
LINGUL323S

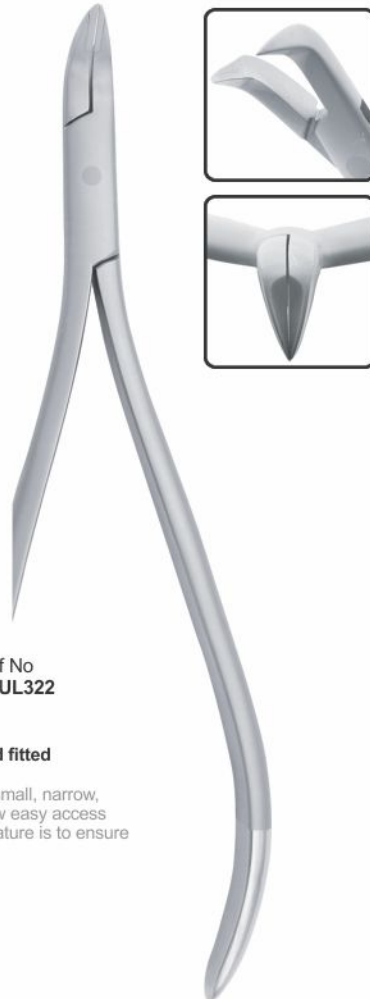


Ref No
LINGUL331

Micro-Miniature Ligature Cutter fitted with Immunity-HS Steel Tips Inserts.

This Lingual series Miniature Ligature cutter small, narrow & sharp pointed tips allow easy access to the most difficult areas. Its feature is to ensure precision cutting of ligature wire and elastics.
Box Joint. Stainless Steel

Cutting Capacity:
Max: .012" (0.30mm) Soft Wires



Ref No
LINGUL322

Miniature Ligature Cutter 60 degree angled fitted with Immunity-HS Steel Tips Inserts.

This Lingual series Miniature Ligature cutter small, narrow, sharp pointed and 60 degree angled tips allow easy access to the most difficult areas of lower arch. Its feature is to ensure precision cutting of ligature wire and elastics.
Box Joint. Stainless Steel

Cutting Capacity:
Max: .012" (0.30mm) Soft Wires



LINGUAL SERIES PLIERS



Ref No
LINGUL377



Weingart 60 degree angled.

This Lingual series weingart pliers has the slim long shape serrated beak tips angled at 60 degree which allow easy access in the posterior region.
Box Joint. Stainless Steel



Ref No
LINGUL380



Bracket Removing Pliers angled.

The Lingual series bracket remover has the narrow shape tips, wedge between the edges of the bracket base & tooth surface to remove direct bond brackets safely & comfortably.
Box Joint. Stainless Steel



Ref No
LINGUL802



Niti Cinch Back Pliers.

This Lingual series niti cinch back pliers has the serrated tips which hold the wire securely while bending the wire 90 degree distal to the buccal tube, avoiding patient discomfort. Box Joint. Stainless Steel

For Use with Nickel Titanium wires:
.012" - .018" (.30 - .46mm)





Ref No: 115-0335

**Distal End Cutter, Box Joint
1/3 Handles Gold Plated 12.5 cm.**

Fitted With Immunity-HS Steel Tips Insert,
With Safety hold ability. Box Joint. 1/3 Handle
Gold Plated. Stainless Steel.

Cutting Capacity:
Max: .021"(.54mm) x .025"(.64mm)
Min: .014" (.36mm) NICKEL TITANIUM



Ref No: 115-0336

**Ligature & Pin Cutter, Box Joint
1/3 Handles Gold Plated 12.5 cm.**

Fitted With Immunity-HS Steel Tips Insert,
Beak Length 9.5mm, Diamond honed edges,
Box Joint. 1/3 Handle Gold Plated.
Stainless Steel.

Cutting Capacity:
Max: .012"(.31mm) Soft Wires



Ref No: 115-0395

Weingart Pliers Box Joint 14 cm.

Serrated jaws for firm grip, angled shape
gives smooth working with easy access to
the specified job. Box Joint.
Stainless Steel.



Ref No: 115-0396

Slim Weingart Pliers Box Joint 14 cm.

Slim Serrated jaws for firm grip, angled
Slim shape gives smooth working with
easy access to the specified job.
Box Joint. Stainless Steel.



Ref No: 115-0338

Jaraback Pliers Box joint (Slim) 14 cm.

Ideal for precise bending and forming
loops in light wire. Set of 3 grooves assures
a firm grip. Box Joint. Stainless Steel.

Cutting Capacity:
Max: .025" (.64mm)





Ref No: **115-0303**

Tweed Arch Bending Pliers
Box Joint 12.5 cm.

The Pliers is designed for double back or triple back bending. Box Joint. Stainless Steel.

Cutting Capacity:
Max: .022" x.025" (.56mm x .64mm) ■ Wires



Ref No: **115-0339**

Young Pliers Box Joint 13.5 cm.

Universal pliers for different size loops. Ideal for labial arches. Box Joint. Stainless Steel

Max: .028" (0.70mm) Hard wires



Ref No: **115-0571**

Distal End Cutter 1/3 Handles
Gold Plated 12 cm.

Fitted With Immunity-HS Steel Tips Insert, With Safety hold ability. Rivet Joint. 1/3 Handle Gold Plated. Stainless Steel.

Cutting Capacity:
Max: .021"(.54mm) x .025"(.64mm)
Min: .012" (.31mm)



Ref No: **115-0572**

Ligature & Pin Cutter 1/3 Handles
Gold Plated 12 cm.

Fitted With Immunity-HS Steel Tips Insert, Beak Length 8mm, Diamond honed edges, Rivet Joint. 1/3 Handle Gold Plated. Stainless Steel.

Cutting Capacity:
Max: .012"(.31mm) Soft Wires



Ref No: **115-0573**

Hook Crimping Pliers 12 cm.

Designed to crimp stops, hooks, and posts to archwires. The slot fits over the base of the hook while holding it tight while crimping. Rivet Joint. Stainless Steel.



Ref No: **115-0574**

NITI Cinch Back Pliers Fine Beak 12.5cm.
This plier formation makes the work of cinching back the end of the wire easy from a difficult access lingual area. Slim Beak makes the working more comfortable. Rivet Joint. Stainless Steel

Max: .021" x .025" (.54 mm x .64 mm) Wires



Ref No: **115-0810**

Niti Cinch Back Pliers 13.5cm. Short Handle
This plier formation makes the work of cinching back the end of the wire easy from a difficult access lingual area. Slim Beak makes the working more comfortable. Rivet Joint. Stainless Steel

Max: .021" x .025" (.54 mm x .64 mm) Wires

Fine Serrations For Firm Gripping of Wire



Ref No: **115-0809**

Niti Cinch Back Pliers Short Head Long Handles 15.5cm.
This plier formation makes the work of cinching back the end of the wire easy from a difficult access lingual area. Slim Beak makes the working more comfortable. Rivet Joint. Stainless Steel

Max: .021" x .025" (.54 mm x .64 mm) Wires

Fine Serrations For Firm Gripping of Wire



Ref No: **115-0334**

Distal End Cutter, Mini Head 13.5cm.
Fitted With Immunity-HS Steel Tips Insert, Mini Head Allow Access to Narrow Area With Safety hold ability. Rivet Joint. Stainless Steel.

Cutting Capacity:
Max: .021"(.54mm) x .025"(.64mm)
Min: .012" (.31mm)



Ref No: **115-0397**

Slim Weingart 90 degree 13.5cm.
Serrated jaws for firm grip, angled slim shape gives smooth working with easy access to the specified job. Specially Lingual Area. Rivet Joint. Stainless Steel.





Ref No: **115-0862**

Ligature & Pin Cutters 15 degree Regular Beak 12cm.

Fitted With Immunity-HS Steel Tips Insert, Beak Length 8mm, Diamond honed edges, Rivet Joint. Stainless Steel.

Cutting Capacity:
Max: .012"(.31mm) to .016"(.41mm) Wires



Ref No: **115-0863**

Weingart Pliers (MINI) 13cm.

Serrated jaws for firm grip, angled shape gives smooth working with easy access to the specified job. Rivet Joint. Stainless Steel.



Ref No: **115-0823**

Bird Beak Long Beak for Heavy Wires 12.5cm.

Fitted With Immunity-HS Steel Tips Insert, this Strong Wire Banding Pliers is ideal for functional appliance fabrication for heavy Wires, Rivet Joint, Stainless Steel.

Max: .036" (0.92mm) Hard wires



Ref No: **115-0822**

Lab Bird Beak Pliers with Serrated Tips 14cm.

Heavy duty bird beak is ideal for functional appliance fabrication. Square tip is serrated to grip and secure lab size wires while bending. Box Joint. Stainless Steel

Max: .036" (0.92mm) Hard wires



Ref No: **115-3023**

Lab Heavy Three Prong / Heavy Adre 14.5cm.
Perfect aligned tips, tapered for work on Heavy Lab Wire bending. Box Joint. Stainless Steel.

Cutting Capacity:
Max: .036" (.92 mm) ● Wires





Ref No: 115-0824

Band Removing Pliers Long beak with T/C Tip 14.5cm.

Ideal for posterior band removing. Replaceable stud, work upward and downward to remove band. Studs are high Heat resistant. Box Joint. Stainless Steel. **STUDS** are available in 4mm, 5mm, 6mm, dia.



Ref No: 115-0812

Band Removing Pliers Long Neck 13.5cm.

Ideal for posterior band removing. Replaceable stud, work upward and downward to remove band. Studs are high Heat resistant. Rivet Joint. Stainless Steel. **STUDS** are available in 4mm, 5mm, 6mm, dia.



Ref No: 115-0804

Ligature Forming Pliers Improved Design 13cm.

Easily bends ligature wire into a performed ligature, Formed Ligature Wire Height is 6mm Box Joint. Stainless Steel.



Ref No: 115-0632

Four Step Loop Forming Pliers 13cm.

Four Step Pliers designed for automatically forming Loops on round wire up to .025" Wire one easy motion of the Plier. Designed to form accurate to consistent Loops 2mm, 3mm, 4mm & 5mm in Height, Box Joint. Stainless Steel.



Ref No: 115-0631

Light Wire Bending Pliers with grooves tips 12.5cm.

Fitted with immunity-HS Steel tips inserts, Utility Pliers popular for working on round wires, with the addition of 2 grooves at the tips, the first groove is 1mm & the second groove is 2mm from the tip on the square side, there is a larger groove towards the rear of the tip on the 2 flat surface allowing for closing loops. can be used on high tensile wire up to .020" diameter. Box Joint. Stainless Steel.





Ref No: 115-0633

**Double Step Bending Pliers
'Z' Bending Short 12.5cm.**

Designed to put a Z bend root tip back bend (with one easy squeeze) in the Archwire without removing the Archwire. Short bend 4.5mm. Box Joint. Stainless Steel.



Ref No: 115-0634

**Double Step Bending Pliers
'Z' Bending Long 12.5cm.**

Designed to put a Z bend root tip back bend (with one easy squeeze) in the Archwire without removing the Archwire. Long bend 7mm. Box Joint. Stainless Steel.



Ref No: 115-0637

**Light Wire Bending Pliers
'Z' Bending Long 12.5cm.**

Utility pliers popular for working on round & rectangular wire. Tips are hardened for Making Smooth Loops. Rivet Joint. Stainless Steel.

Cutting Capacity:
Max: .021" x .025"
(.54 mm x .64 mm) ■ Wires



Ref No: 115-0638

**Slim Weingart Pliers Narrow
Mini Beak 60° 12.5cm.**

Serrated jaws for firm grip, angled slim and micro 60° shape gives more precise working with easy access to the specified job. Rivet Joint. Stainless Steel.



Ref No: 115-0304

**Optical Loop Forming Pliers
Wide Handles 12cm.**

Fine finished round & concave beaks, Excellent for bending of round and edge-wise, affording firm grip, without nicking wire. Can be used for loop tip back and gable bends. Wide handle makes it more comfortable for getting firm grip. Rivet Joint. Stainless Steel





Ref No: **115-0864**

Nance Pliers 13cm.

For precise forming of loops in four lengths 3, 4, 5 & 6mm. Rounded edges prevent scoring wire. Lap Joint. Stainless Steel.



Ref No: **115-0639**

Nance Pliers Double Sided Loop Forming 12.5cm.

For Precise forming of loops in four lengths 3, 4, 7, & 7.5mm. Rounded edges prevent scoring wire. Double sided steps formation can be used performing loop either sides. Rivet Joint. Stainless Steel.

Cutting Capacity:
Max: 0.028" (.71 mm) ● Wires



Ref No: **115-0305**

Three Jaw Pliers Rounded 12.5cm.

Perfect aligned tips, Rounded for work on delicate bending. Box Joint. Stainless Steel.

Cutting Capacity:
Max: 0.030" (.76 mm) ● Wires



Ref No: **115-0407**

Arch Forming Pliers 12cm.

For individual construction and activation of lingual / palated bone. using these pliers, the bent tips of the wire will fit into all lingual / palated tubes. Rivet Joint. Stainless Steel.

Cutting Capacity:
Max: 0.036" (.91mm) ● Wires



Ref No: **115-0437**

Ceramic Bracket Remover 45 degree angled 12cm.

Ideal to remover delicate ceramic bracket with its sharp edges and 45 degree angled. Rivet Joint. Stainless Steel.





Ref No: 115-0435

Wire Bending Pliers wide curve 13.5cm.
Ideal for making Gradual "accentuated curve" on .019x.025" SS wire. Wider curved and smooth edges gives fine and scoring free wire bending. Rivet Joint. Stainless Steel.

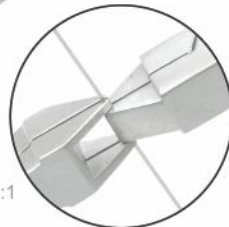


Ref No: 115-0436

Auxiliary Spring Forming Pliers 13cm.
Ideal pliers for forming auxiliary spring components on .012", .014" and .016" round wires. Wide handles give firm gripping while working. Box Joint. Stainless Steel.



Step:1



Step:2



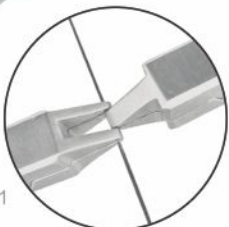
Ref No: 115-0635

Individual Torquing Pliers Set. To make 6mm long torque 13cm.

These Pliers allow the application of torque without distortion in other segments of the wire. Non-Slip grip, tapered tips facilitate the placement of labial or lingual torque. Box Joint. Stainless Steel.
Can bend wire upto. .022"x.025".



Step:1



Step:2

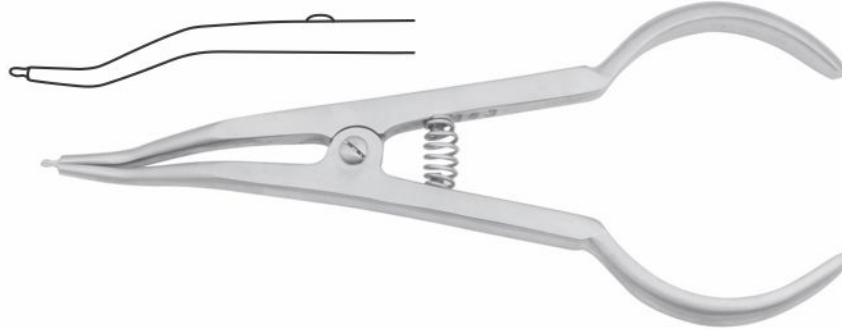


Ref No: 115-0636

Individual Torquing Pliers Set. To make 3.5mm long torque 13cm.

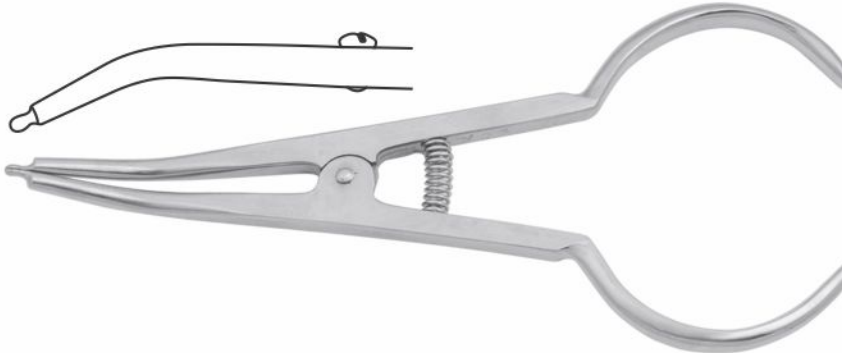
These Pliers allow the application of torque without distortion in other segments of the wire. Non-Slip grip, tapered tips facilitate the placement of labial or lingual torque. Box Joint. Stainless Steel.
Can bend wire upto. .022"x.025".





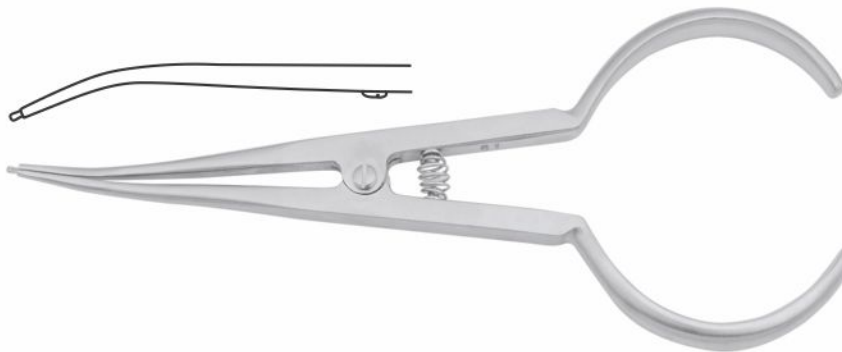
Ref No: **115-0585**

Elastic Separating Pliers 15.5cm.
Angulated Beaks for accessibility, ease & accuracy. Grooved beaks assure positive hold for positioning elastics. Stainless Steel.



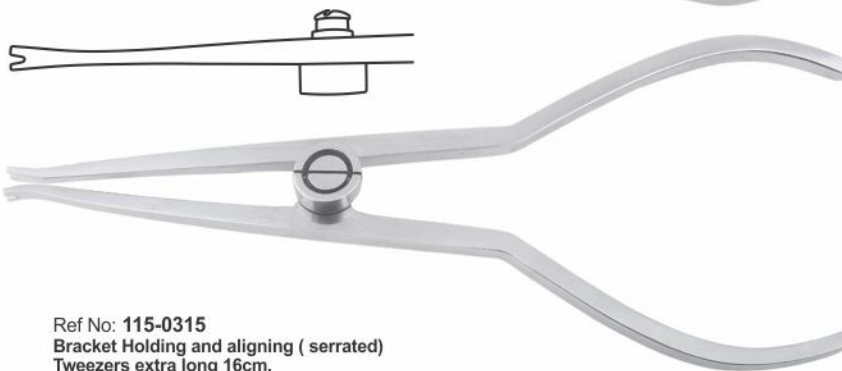
Ref No: **115-0590**

Elastic Separating Pliers without stop 15cm.
Angulated Beaks for accessibility, ease & accuracy. Grooved beaks assure positive hold for positioning elastics. Stainless Steel.



Ref No: **115-0587**

Elastic Separating Pliers Slim Long 17.5cm.
Angulated Beaks for accessibility, ease & accuracy. Grooved beaks assure positive hold for positioning elastics. Stainless Steel.



Ref No: **115-0589**

Ligature Tying Pliers 17cm.
For Tying Stainless Steel Ligature Wires. made of Stainless Steel.

Ref No: **115-0315**
Bracket Holding and aligning (serrated) Tweezers extra long 16cm.
Made of Stainless Steel



Ref No: **115-0865**

Arch Forming Turret.
To perform Arch on .016", .017", .018" & .0215" on their corresponding slots.





Ref No
115-0465

Ref No
115-0465F

Ref No
115-0465 F T/C

Ref No
115-0465 FR

Ref No
115-0465 EXF

Ref No
115-0467

Mathieu Needle Holder 14cm. Regular Tips
Regular tips with wider serration for gripping well while working.
Made of stainless steel.

Mathieu Needle Holder 14cm. extra fine beak.
Finer serration for gripping O rings and needles while precision working.
Made of stainless steel.

Mathieu Needle Holder 14cm. extra fine beak. T/C
Finer serration T/C Tips for gripping O rings and needles while precision working.
Fitted with T/C Tips inserts.
Made of stainless steel.

Mathieu Needle Holder 14cm. extra fine beak. With Ring.
Finer serration for gripping O rings and needles while precision working. Utility of ring makes it easier for working.
Made of stainless steel.

Mathieu Needle Holder 14cm. Super fine beak.
Super Fine serrated beak for finest working and gripping O rings and needles while precision working.
Made of stainless steel.

Mathieu Needle Holder 14cm. wide beak and fine serration.
Wide beak and fine serration combination makes this needle holder more popular for working.
Made of stainless steel.



Ref No
115-0461

Ref No
115-0462

Ref No
115-0463

Ref No
115-0466

Ref No
115-0468

Ref No
115-0469

Mathieu Needle Holder 14cm. Hook Tip.
This hook tip style needle holder has a notched tip for easy and assurance in placing elastic. Non slipping grip. Made of stainless steel.

Mathieu Needle Holder 14cm. Hole Tip.
This hole tip style needle holder features a groove at tip for non slip placement of elastic ligatures and other intraoral elastics.
Made of stainless steel.

Mathieu Needle Holder 14cm. Tips contact.
This tips contact style needle holder has tightest grip on elastic ties. It is not recommended for ligature wires.
Made of stainless steel.

Mathieu Needle Holder 14cm. Regular beak with T/C Tips.
Regular tips with wider serrated T/C Tips inserts for gripping well while working.
Made of stainless steel.

Mathieu Needle Holder 14cm. wide beak with T/C tips.
Wide beak and fine serration T/C Tips inserts combination makes this needle holder more popular for working.
Made of stainless steel.

Mosquito Mathieu Needle Holder 14cm.
Straight serration and fine beak ensure non slipping grip for working precisely.
Made of stainless steel.





MATHIEU NEEDLE HOLDER



Ref No
115-0551

Mosquito Mathieu Needle Holder 14cm. Double Spring action. Straight serration and fine beak ensure non slipping grip for working precisely. Made of stainless steel.



Ref No
115-0552

Mathieu Needle Holder 14cm. Offset. Cross serration and regular firm beak ensure non slipping grip for working precisely. Offset ratchet makes it more comfortable in working. Made of stainless steel.



Ref No
115-0553

Mathieu Needle Holder 14cm. Offset ratchets. With T/C tips. T/C tips inserts and regular firm beak ensure non slipping grip for working precisely. Offset ratchet makes it more comfortable in working. Made of stainless steel.



Ref No
115-0554

Cross serration and fine firm beak ensure non slipping grip for working precisely. Offset ratchet makes it more comfortable in working. Light pattern makes this Mathieu working soft and smooth. Made of stainless steel.



Ref No
115-0555

Mathieu Needle Holder Long 7" With T/C tips. T/C tips inserts and wide firm beak ensure non slipping grip for working precisely. Made of stainless steel.



Ref No
NA-17140

Mosquito Forceps 12.5cm Straight. Made of stainless steel.



Ref No
NA-17142

Mosquito Forceps 12.5cm Curved. Made of stainless steel.



Ref No
NA-17140E

Mosquito Forceps 12.5cm Hole Tips. Made of stainless steel.



MOSQUITO FORCEPS



Ref No
NA-17142H

Mosquito Forceps 12.5cm Hook Tips. Made of stainless steel.



Ref No
NA-17140T

Mosquito Forceps 12.5cm Tip Contact. Made of stainless steel.



TWEEZERS



Ref No
115-0450

BONDING TWEEZERS
11.5cm. Made of stainless steel, cross action. For placement of brackets with thin.025" plate on the rare side.

Ref No
115-0451

BONDING TWEEZERS
14cm Heavy. Made of stainless steel, cross action. For placement of brackets.

Ref No
115-0452

Bracket Placer/Slot Aligner Tweezers.
Made of stainless steel, cross action. For placement & lineament of brackets.

Ref No
115-0453

IMPROVED TWEEZERS
13cm. Made of stainless steel, cross action. For placement of brackets with thin.025" plate on the rare side

Ref No
115-0454

Keat Buccal Tweezer.
Made of stainless steel, For placement of buccal tubes.

Ref No
115-0455

Buccal Tube Tweezer
Cross action. Made of Stainless steel, cross action. For placement buccal tubes.

Ref No
115-0456

Buccal Tube Tweezer
Cross action with slot aligner. Made of stainless steel, For placement of buccal tubes and aligning them easily.



Ref No
115-0457

BONDING Tweezers
with slot aligner. Made of stainless steel, cross action. For placement of brackets and aligning them.

Ref No
115-0510

Lingual Bracket Tweezers 14cm.
Made of stainless steel, cross action. For placement of brackets.

Ref No
2255/2

College Cotton Pliers.
Made of stainless steel, serrated jaws.

Ref No
2255/2WL

College Cotton Pliers with locking.
Made of stainless steel, serrated jaws.

Ref No
2265/2

Meriam Cotton Pliers.
Made of stainless steel, serrated jaws.

Ref No
115-0458

Soldering Tweezers
13cm. Made of stainless steel with Fiber Thumb Pad for protection, curved tips.

Ref No
115-0460

ARTICULATING PAPER Forceps
14cm. Made of stainless steel, cross action firmly hold paper.





Ref No
115-0470

Double-Ended Ligature Director.

Handle made of Non-Magnet Hollow Stainless steel pipe. Corrosion Resistant for longer use. Points made of hardened Stainless Steel



Ref No
115-0471

Ligature Director Scaler.

Handle made of Non-magnet Hollow Stainless steel pipe. Corrosion Resistant for longer use. Points made of hardened Stainless steel



Ref No
115-0472

Band Pusher Scaler.

Handle made of Non-Magnet Hollow Stainless steel pipe. Corrosion Resistant for longer use. Points made of hardened Stainless steel



Ref No
115-0473

Schure Band Seater.

Round Handle. One part instrument made of hardened stainless steel



Ref No
115-0476

Schure Band Seater.

Handle made of non-magnet Hollow stainless steel pipe. Corrosion resistant for longer use. Points Made of hardened stainless steel.



Ref No
115-0484

Tucker and Pusher.

Handle made of non-magnet octagonal Hollow stainless steel pipe. Corrosion resistant for longer use. Points Made of hardened stainless steel.



Ref No
115-0474

TWIRL-ON Module.

Handle made of Non-magnet Hollow stainless steel pipe. Corrosion Resistant for longer use. Points made of hardened stainless steel.



Ref No
115-0475

Distal Bender Single End

for wire up to 22" Simple using made from durable stainless steel, bends tails of springs. Work on all Stainless steel



Ref No
115-0475 D/E

Distal Bender Double End

one side to accommodate wire upto .019" and other side to accommodate wires up to .030" simple using made from durable stainless steel, bends tails of spring. Works on all stainless steel wires.



Ref No
115-0478

Ligature Director curved, fine narrow.

Octagonal Handle. Narrow Groove. One part instrument made of hardened stainless steel





Ref No
115-0479
Ligature Director curved,
Regular Made of hardened
Stainless steel



Ref No
115-0482
Ligature Director Double Ended.
Octagonal Handle. Wide groove. Firm Grip. One part instrument made of hardened stainless steel



Ref No
115-0483
2D Opener.
Round Handle. One part instrument made of hardened stainless steel



Ref No
115-0535
Stainless steel Spatula No. 8.
Double Ended



Ref No
115-0536
Stainless steel Spatula No.3
Double Ended



Ref No
115-0481
Shortly Twister Holder. Designed for sample insertion and locking of shortly ligature twists and shortly koby twists. Easy spinning body for tight fit. Made of stainless steel.



Ref No
115-0485
Dontrix Gauge. Measures the force applied in specific orthodontic applications. Sterilizable. Measures upto 16oz for max force. Made of stainless steel



Ref No
115-0486
Nickel Titanium High Heat Ice Instruments.
Made of stainless steel



Ref No-**115-0678**
Positive Positioner.
Designed to hold brackets firmly and align them positively.
Made of Aluminum.



Ref No-115-0511





GAUGES



Ref No-115-0673
Aluminum Height Gauge.
To work on: .018" Slots



Ref No-115-0675
Aluminum Height Gauge.
To work on: .022" Slots



Ref No-115-0675SS
Stainless Steel Height Gauge.
To work on: .018" & .022" Slots



Ref No-115-0674
Height Gauge Fully Adjustable.
Made of Stainless steel. Capable of being sterilizable.
To work on: .018" & .022" Slots



Ref No-115-0487
SpinTek Instruments. Bracket Cap slider. (Ormco Type)
Made of Stainless steel. Capable of being sterilize.



Ref No-115-0908
Band Seater Stick autoclavable blue color



Ref No-115-0677
Boley Gauge
Made of Stainless steel.
Capable of being sterilize.



Ref No-115-0679
Breene Donk Gauge Single End
Made of Stainless steel. Capable of being sterilize.



Ref No-115-0671
Boone Bracket Position Gauge. fully adjustable with lead points made of stainless steel fully adjustable to accommodate lead of size 0.50mm



Ref No-115-0670N
Boone Positioning Gauge Star Type Improved Model and Design
Made of Stainless steel.
Capable of being sterilize.



Ref No-115-0670
Boone Positioning Gauge. Star Type
Made of Stainless steel.
Capable of being sterilize.



Ref No-115-0477
Mershon Band Pusher
All sided angled serrated tips reduced risk of slippage, lightweight hollow handle gives easy working
Made of Stainless steel. Capable of being sterilize.



Ref No-115-0480
Band Setter fully stainless steel
Fully serrated tips reduced risk of slippage, lightweight hollow handle gives easy working
Made of Stainless steel. Capable of being sterilize.



Ref No-115-0902
Interproximal Stripping Instrument
Fully Stainless steel. Durable and Sterilizable.
Surely holds lightening strips for controlled reduction.





Ref No
115-0500
PLASTER Spatula,
Made of stainless steel
wooden handle,
ridge blade.



Ref No
115-0512
PLASTER Spatula,
Made of stainless steel
wooden handle,
flexible blade.



Ref No
115-0520
FAHNENSTOCK
Wax Knife 17.5cm.
Made of stainless steel
with wooden handle



Ref No
115-0530
GRITMAN Plaster
Trimmer 16cm
Made of stainless steel,
plaster knife with
scraper



Ref No
115-0532
Plaster knife 18cm
Made of stainless steel,
plaster knife with
wooden handle.



Ref No
115-0534
PLASTER Knife 17.5cm
Made of stainless steel,
plaster knife with scraper
with wooden handle.



Ref No: **115-0646**
Crown Scissors Str.
Made of Stainless steel. One side
serrated blade provides non
slipping cutting ability. Fine beak.
Capable of being sterilize.



Ref No: **115-0647**
Crown Scissors Cvd.
Made of Stainless steel. One side
serrated blade provides non
slipping cutting ability. Fine beak.
Capable of being sterilize.



Ref No: **115-0644**
BEEBEE Crown Scissors 10cm
Made of Stainless steel. One side
serrated blade provides non
slipping cutting ability. Fine beak.
Capable of being sterilize.



Ref No: **115-0640**
Fine Scissors
Straight 11.5cm
Made of stainless steel



Ref No: **115-0700**
DRESSING Scissors 14cm.
Made of stainless steel,
blunt/blunt, sharp/blunt s
harp/sharp, straight
models are available



Ref No: **115-0650**
Utility Scissors 19cm.
Made of stainless steel
with molded plastic handles.





PLIER RACKS, TRAYS



Ref No
115-0600
Pliers Hanging Rack SS
Made of non magnetic Stainless steel



Ref No
115-0602
Pliers Hanging Rack SS with Holding Cup
Made of non magnetic Stainless steel with additional facility of cup to hold hand instruments



Ref No
115-0601
Pliers Hanging Rack
With Acrylic Transparent Plates joining three non magnetic Stainless steel Rods



Ref No
115-0705
Scaler Tray
Made of Stainless Steel



Ref No-116-0920
Impression Trays PERFORATED
Available in set of 6, 8, 10 & 12 Pieces
Sizes: L1, L2, L3, L4, L5
U1, U2, U3, U4, U5
Individual numbers as per requirement are also available. Kindly mention while ordering
Made of non Magnet Stainless Steel



Ref No
115-0706
Kidney Tray. Medium Size
Made of Stainless Steel



Ref No-116-0921
Impression Trays SOLID
Available in set of 6, 8, 10 & 12 Pieces
Sizes: L1, L2, L3, L4, L5
U1, U2, U3, U4, U5
Individual numbers as per requirement are also available. Kindly mention while ordering
Made of non Magnet Stainless Steel



Ref No
CT-B5-001
Sterilization Cassettes Tray
For 5 Instruments, Box Type
Made of Stainless Steel



Ref No
CT-B7-002
Sterilization Cassettes Tray
For 7 Instruments, Box Type
Made of Stainless Steel

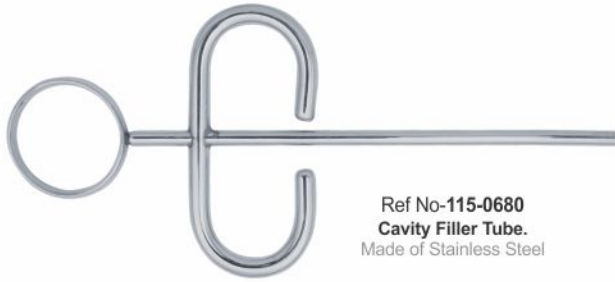


Ref No
CT-B15-003
Sterilization Cassettes Tray
For 15 Instruments, Box Type
Made of Stainless Steel



Ref No
CT-B20-004
Sterilization Cassettes Tray
For 20 Instruments, Box Type
Made of Stainless Steel





Ref No-115-0680
Cavity Filler Tube.
Made of Stainless Steel



Ref No-115-0682
Dividing Gauge.
Made of Brass and Stainless Steel
Working Points

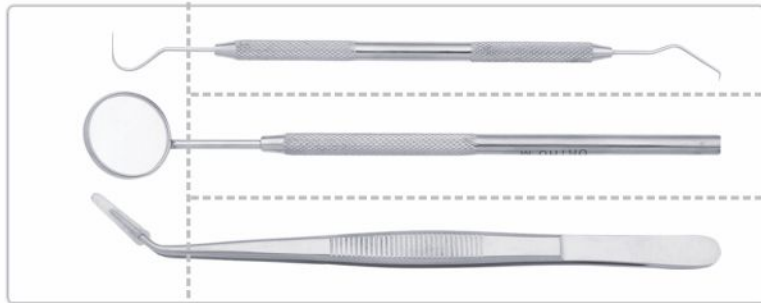


Front Surface

Ref No-115-0683
Front Surface Mirror Size 9 with Handle
Made of Stainless Steel



Ref No- PHI-105
High Heat Band Removing Pads
These are high heat sterilization band remover spare pads
These can resist heat up to 400° F
These pads are available in 4mm, 5mm, 6mm Dia tip size
These pads comes in set of 5 pads.



Ref No- KIT-1106
Basic Dental Examination Kit
Set of 3 Pieces made of Stainless Steel



Ref No- TEF-201
Teflon Studs / Pads
These are band remover spare pads non sterilizable
These pads are available in 4mm, 5mm, 6mm Dia tip size
These pads comes in set of 5 pads.

- All Pliers are made from **AISI 410, 420** type stainless steel materials.
- High quality extra hard and highly durable **Immunity-HS Steel Tips inserts** are used for Distal End Cutters , Ligature Cutters and Pliers where needed with special joining/welding technique for inserts – extreme stability is ensured.
- High precision **joint assembly** for a long lasting Tips alignment with specially designed technique for lasting frictionless smooth functioning. Hex Screw assembling is also made with precision and diamond honed Tips cutting edges.
- Ergonomic rounding of all **Sharp edges** - improved safety, precise and uncomplicated handling ensured.
- All pliers are **ultrasonically cleaned**, lubricated and then tested with recommended **wire sizes**.
- Ideal for **autoclaving** as well as **dry heat sterilization**.
- Modern efficient Instruments care is recommended for working well over time trouble free.
- All Pliers are **under warranty for the period of 1 year** from the date of your purchase. If in normal use, any of our Pliers are found defective in material or manufacturing workmanship under current warranty, it will be repaired or replaced at our discretion. Misuse, negligence or lack of reasonable or proper maintenance and care will nullify this warranty.



NADIR & CO Plier Sterilization Tips

Your pliers are an investment. You expect them to function properly over the years. You don't want rusted pliers or cutting failures. Many of the problems with your pliers are associated with the sterilization problems. With these easy to follow instructions you get more life out of your pliers as well as full performance you deserve.

- You should never use soap and water to clean your pliers. Distilled water can be used in an ultrasonic cleaner.
- Gluteraldehyde can also damage your pliers. Do not put them in any gluteraldehyde solution.
- Always use surgical milk or distilled water for pre-cleaning.
- Do not brush your pliers as hard brushes might scratch your pliers.
- The pliers should be kept separately especially when they are in an ultrasonic cleaner.
- Avoid excessive sterilization as it might damage the polish on your pliers.
- Check the wire sizes your plier's cutting and bending specifications. Do not use your pliers with heavier wires, as this will damage the inserted tips of your pliers.

Autoclave: Clean your pliers first with 1/10 surgical milk/distilled water solution. You can put them in an ultrasonic cleaner. Do not rinse them with soap and water. You can put them directly to autoclave without rinsing or drying.

After this moment you can follow the instruction manual of your autoclave.

Chemiclave: Clean your pliers with 1/10 surgical milk/distilled water solution. Do not rinse them with soap or water. Dry them very carefully with a clean towel. Put the pliers in separate chemiclave bags and then in the chemiclave.

After this moment you can follow the instruction manual of your chemiclave.

Dry Heat Sterilization: Do the same cleaning for autoclave or chemiclave first. You can also use distilled water only to clean your pliers. No drying required. Place them in your Dry Heat Sterilizer and follow the instruction manual.

Problem:

- 1) Your plier's tips are rusted.
- 2) You see black spots on your pliers.

- 3) The edges of your cutters are dull.

- 4) The joint of my pliers is stiff and squeaky.

Reason:

- 1) Pliers were in touch with water.
- 2) Pliers were in touch with water. The chemicals and minerals in the tap water are the reason for the discoloration.
- 3) You left your pliers too long in the ultrasonic cleaner. Also check the bending and cutting specifications. You might have been using your pliers to cut or bend a heavier wire than it's standards.
- 4) Excessive sterilization caused the polish and the lubricants disappear. It might be the time to send them back for Quality Repair Service.

NADIR & CO Orthodontics Instruments Warranty

NADIR & CO orthodontic instruments carry a lifetime warranty against material defects and craftsmanship. Like all Orthodontic companies, "lifetime" references the life of the product. We guarantee your cutters for ONE years. This covers breakage, joint failure, and corrosion under normal use. Proper cleaning and maintenance is required. Failure to properly care for instruments, including cleaning and lubrication may void this warranty. NADIR & CO reserves the right to decide whether an instrument is to be repaired or replaced. Sharpening cutters and repairing minor tip damage is considered routine maintenance with normal use, and is not covered by warranty.

Cleaning: Remove cements and other bulk debris immediately after use. Clean instruments ultrasonically, using an enzymatic cleaning solution such as Enzymax. Change your ultrasonic solution daily. Clean and sterilize hinged instruments in the open position. Improper cleaning can lead to discoloration and oxidation. A good cleaning will lengthen the life of your instruments. Only use detergents and disinfectants that are suitable with medical and dental instruments and follow the manufacturer's instructions in respect to concentration and time of exposure.

Lubrication: Lubricate instruments at least weekly prior to sterilization. Use only lubricants designed for precision hinged instruments such as instrument Lubricant Spray, 8 oz. If you are using a dry heat sterilizer, be sure to use a lubricant that is compatible with the operating temperatures of your dry heat unit such as high heat instrument lubricant, 8 oz. Routinely lubricating instruments will lengthen the life of your instruments.

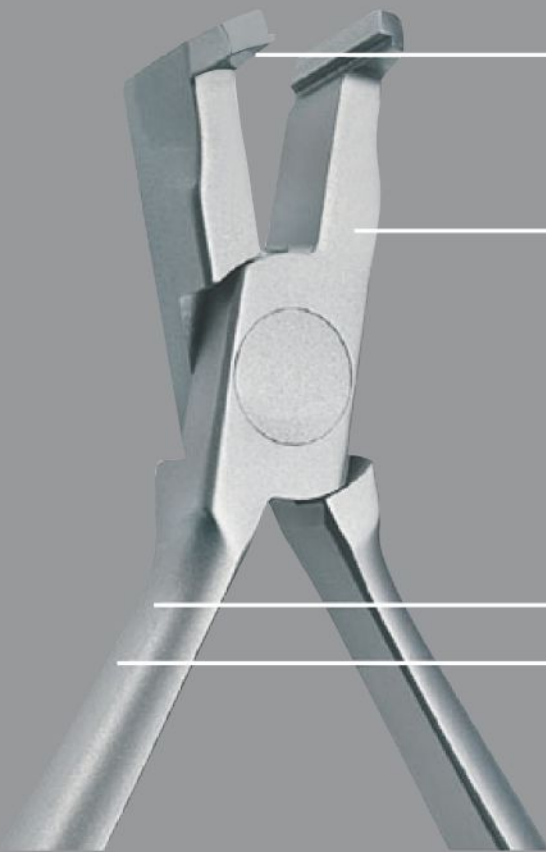
Sharpening: Sharpen cutters regularly. How often depends on such factors as the frequency of use, types of applications the cutter is being used in, etc. Routinely inspects cutters to determine if sharpening is required. Sharp instruments cut more efficiently and regular sharpening will enhance the life of your cutter.

Sterilizing: Sterilize hinged instruments in the open position. Use steam autoclave, chemical vapor or dry heat units. The most efficient methods are steam autoclave and chemical vapor. **NADIR & CO** instruments are actually designed for use with steam autoclave. Steam autoclaves will not dull cutters. Do not use cold sterilants, they can chemically attack your stainless steel instruments. Be sure your sterilizing units are clean and operating properly.

Corrosion: Your **NADIR & CO** instrument is very resistant to corrosion. You can prevent corrosion problems by properly following all manufacturers recommendations. Is it really corrosion? Accumulated debris can turn orange in color and be mistaken for rust. **NADIR & CO** can help you make this determination. Never mix your new instruments with a corroded instrument. Oxidation can easily spread to new instruments. It is recommended that a corroded instrument be discarded.



COMPLETE RANGE OF
ORTHODONTIC
 INSTRUMENTS
 AVAILABLE



- A. maximum performance immunity-HS steel tips inserts
- B. Diamond-honed cutting edges
- C. High-quality, corrosion resistant stainless steel forgings
- D. Ergonomic design for maximum comfort and safety
- E. Stunning satin finish reduces glare for precise treatment

 **NADIR & CO.**
 Dental & Orthodontic Instruments

www.nadirco.com

Ugoki Road Opp: Small Industrial Estate, Shahab Pura, SIALKOT - 51340. Pakistan
 E-mail: info@nadirco.com / nadir@skt.comsats.net.pk / nadir.ortho@gmail.com
 Phone: +92-52-355 6741 / What's App: +92-302-8616262 / Fax: +92-52-426 8560

CE CA006210

FDA USA

QA INTERNATIONAL
 BS EN ISO 13485

QA INTERNATIONAL
 BS EN ISO 9001



Certifications

Member